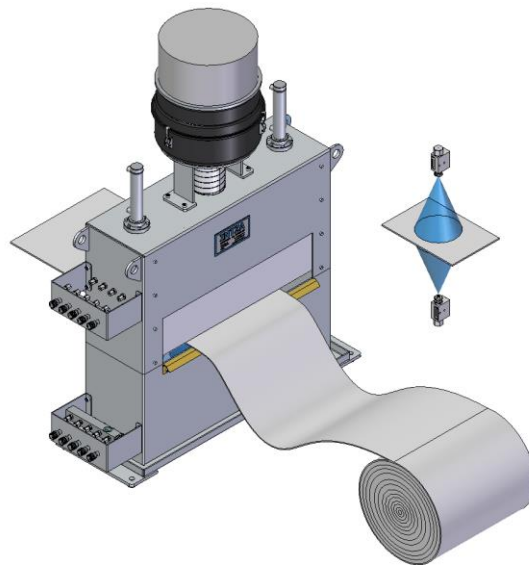


PRESSES, METALFORMING, FORGING
CONFIDENT STRIKE

In metal forming processes in stamping, pressing, forging and similar processes, it is frequently necessary to spray requested a coating of oil on the metal coil to avoid the appearance of wrinkles or folds. cracks on the sheet. **Intza Lubrication Systems** has developed cutting-edge solutions for extremely demanding customers, such as press manufacturers involved in automobiles production.



In our new generation of lubrication systems for presses all parameters of the spraying pattern can be controlled remotely controlled through a PLC. This is a necessary step toward full connectivity between machine parts and a central control station and therefore towards the so called Industry 4.0 or "internet of things".

¡Contact us to know more!